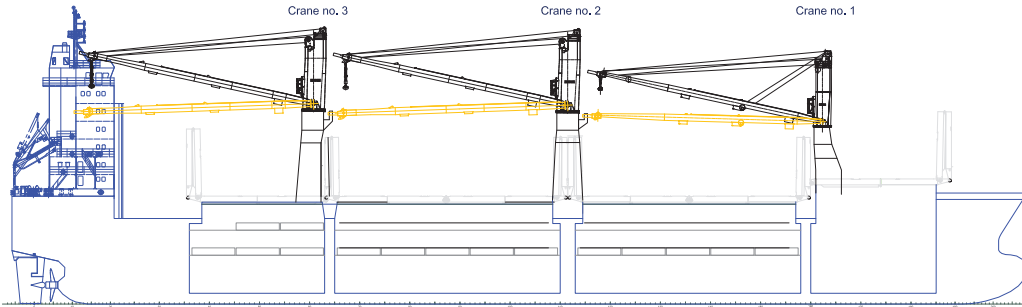
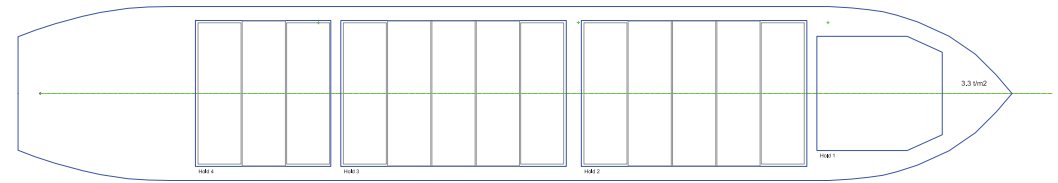


SIDE VIEW



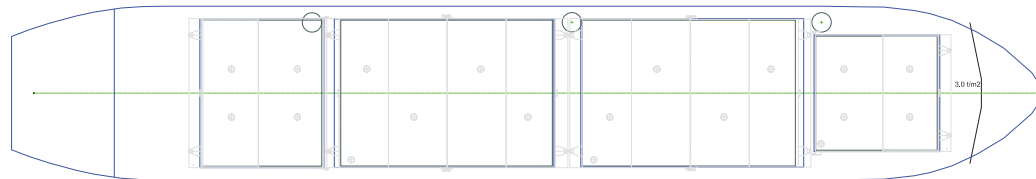
TWEENDECK

Intake is always subject to vessel's stability, trim, permissible weights and is subject to regulations of visibility. Lifting capacity of vessel's cranes is subject to vessel's stability and can depend on cargo/ballast on board. Container data as well as bale capacity assumes tweendeck ashore. The figures given herewith are for "reference" only and they must not be used as basis for Charter Parties or other contracts without AAL's explicit written authority. For more information on individual vessels within the AAL fleet, please commercial@aalshipping.com.

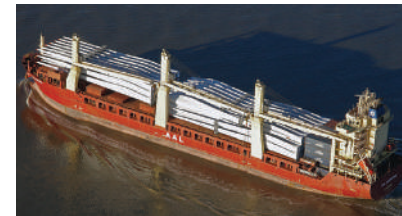
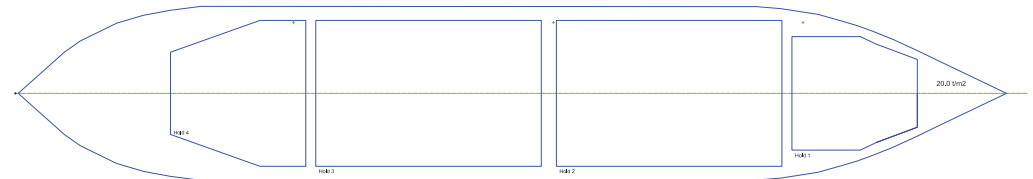


WEATHER DECK

Crane no. 3 6,0 - 17,5 m 120 t 6,0 - 20,0 m 100 t 4,0 - 24,0 m 80 t 4,0 - 26,0 m 70 t 4,0 - 30,0 m 60 t 4,0 - 35,0 m 45 t	Crane no. 2 6,0 - 17,5 m 120 t 6,0 - 20,0 m 100 t 4,0 - 24,0 m 80 t 4,0 - 26,0 m 70 t 4,0 - 30,0 m 60 t 4,0 - 35,0 m 45 t	Crane no. 1 4,7 - 30,0 m 45 t 4,7 - 35,0 m 40 t
---	---	---



TANK TOP



Oceania
Brisbane, AU (Regional Hub)
T: +61 7 3332 8555
E: oceania@aalshipping.com

Americas
Houston, US (Regional Hub)
T: +1 713 980 1100
E: americas@aalshipping.com

Asia
Shanghai, CN
T: +86 21 6135 9600
E: china@aalshipping.com

Qingdao, CN
T: +86 532 8575 3558
E: china@aalshipping.com

Tokyo, JP
T: +81 3 3541 9192
E: japan@aalshipping.com

Europe
Hamburg, DE (Regional Hub)
T: +49 40 361 304 810 / 820
E: europe@aalshipping.com

Genoa, IT
T: +39 010 806 0836
E: italy@aalshipping.com

Global Head Office
Singapore, SG
T: +65 6248 3600
E: commercial@aalshipping.com

Middle East
Dubai, AE (Regional Hub)
T: +971 4 450 4700
E: middleeast@aalshipping.com

Calgary, CA
T: +1 778 227 4610
E: americas@aalshipping.com

Beijing, CN
T: +86 10 8447 5255
E: china@aalshipping.com

Tianjin, CN
T: +86 22 2319 3785
E: china@aalshipping.com

Seoul, KR
T: +82 2 6388 7870
E: korea@aalshipping.com

Porvoo, FI
T: +358 40 827 7031
E: finland@aalshipping.com

Paris, FR (Africa Enquiries)
T: +33 1 4071 8512
E: africa@aalshipping.com

G-CLASS VESSELS

v.5/19

Type	Multipurpose Dry Cargo Ship	Floor Space	Tank Top: 2,481 m ² Tweendeck: 2,125 m ² Weather Deck: 2,321 m ²
Class	DNV-GL 100 A5 E1; G IW SOLAS-II-2, Reg.19 DBC; Equipped for Carriage of Containers, Strengthened for Heavy Cargo	Max Permissible Load	Weather Deck Hatch Covers: 3.00 t/m ² Tweendeck Hatch Covers: 3.20 t/m ² Tank Top: 20.00 t/m ²
Deadweight	25,734 t (summer)	Container Capacity (Total TEU)	1,620 TEU
GT/NT	19,128 / 9,736	Container Capacity (Total FEU)	621 FEU + 59 TEU
LOA	159.99 m	Reefer Containers	100 Reefer Points
LBP	152.00 m	Cargo Gear	Crane 1: SWL 45t 4.7-30.0 m Crane 2 & 3: SWL 120t 6.0-17.5.0 m
Breadth (Moulded)	27.40 m	Maximum Lift	Combined 240 t (cranes 2 and 3)
Depth (Moulded)	13.50 m	Main Engine	STX-MAN 6S40ME-B9 MCR 6,810 kW at 146 RPM CSR 6,469 kW at 143.5 RPM
Draft (Summer)	9.80 m	Auxiliary Engines (3 Sets)	Yanmar 6N18AL-EV 660kW at 900 RPM
Holds	4	Bow Thruster Rated Power	850kW
Hatches	4	Dehumidifiers / Ventilation	All holds mechanically ventilated / 6 air changes per hour
Tweendecks	Tweendecks in holds No. 2, 3 and 4	Dangerous Cargo	Class 1-9 (except 1.1-1.6, 2.3 and 5.2) can be loaded in Hold No. 4 in packaged form. Class 1-9 can be loaded on upper deck / hatch covers in packaged form.
Hatch Dimensions (L x B)	No. 1: 18.96 x 18.00 m No. 2: 33.57 x 23.00 m No. 3: 33.57 x 23.00 m No. 4: 18.96 x 23.00 m		
Holds Capacity / Volume (100%)	No. 1: 5,882 cbm No. 2: 11,589 cbm No. 3: 11,589 cbm No. 4: 6,645 cbm		
Total	35,705 cbm		

www.aalshipping.com | www.aalshipping.com.cn



WeChat ID: **AALSHIPPING**
新加坡澳亚航运有限公司上海代表处



powered by partnerships